

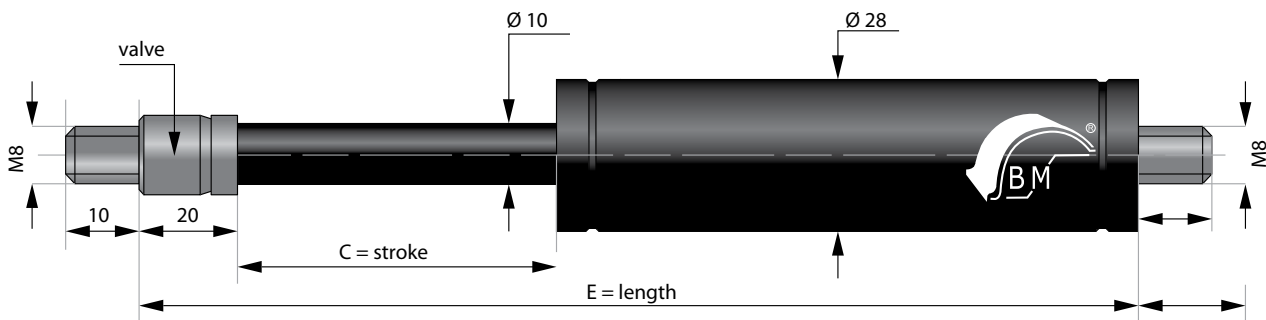


# TRACTION GAS SPRINGS

Tension gas springs have a special structure that makes the piston rod to be pulled in the body of the spring, which is also the starting position of the piston rod in this type of spring. In pulling the piston rod of the spring body it is necessary to expend the tensile strength corresponding to the tension gas spring's pressurizing. This type of spring is used to open or close hatches of different types, for lifting loads, in particular

where it is not possible to use a compression gas spring. We offer tension gas springs in seven different lengths, pressurized according to customer requirements ranging from 100N - 1200N.

The piston rod is made of C35 steel and spring body made of ST34 2-BK steel.



C - stroke [mm]	E - length [mm]	F1 - force [N]	Reference
100	300	100-1200	ST T28 100 + F1 V
150	400	100-1200	ST T28 150 + F1 V
200	500	100-1200	ST T28 200 + F1 V
250	600	100-1200	ST T28 250 + F1 V
300	700	100-1200	ST T28 300 + F1 V
350	800	100-1200	ST T28 350 + F1 V
400	900	100-1200	ST T28 400 + F1 V

## FUNCTION DIAGRAM FOR TRACTION GAS SPRING

