

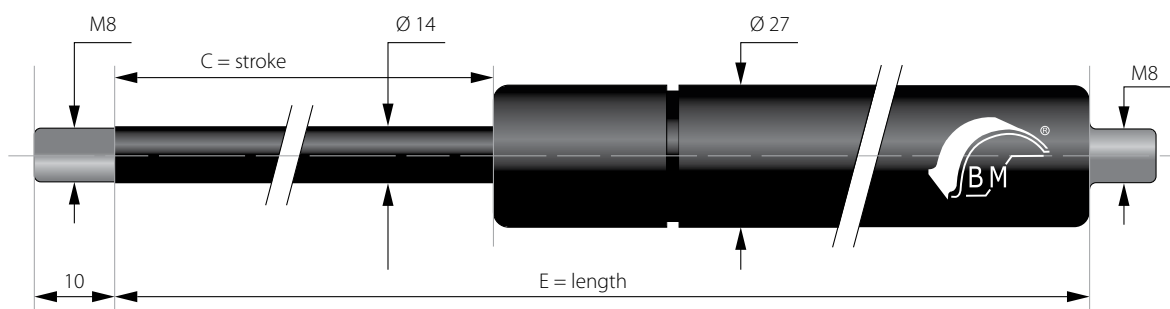
COMPRESSION GAS

WITH A PISTON DIAMETER OF 14 mm COMPLETED WITH M8 THREAD

Compression gas springs are a multipurpose product of a simple cylindrical shape with different mounting variants producing an extending power under pressurized nitrogen. The compression of the piston rod into the cylinder compresses nitrogen, resulting in the formation of force, which extends the piston from the cylinder. The amount of force depends on the cross section of the piston rod, the cylinder volume and the amount of nitrogen therein.

Gas springs are finished with an M8 thread, for which there is a wide range of end fittings. End fittings for this type of spring can be found in many materials created on demand 13, 14 and 15.

The piston rod is made of C35 steel, which is treated by nitriding (QPQ). The cylinder body is made of ST34 2-BK steel and painted with black epoxy paint.



C - stroke [mm]	E - length [mm]	F1 - force [N]	Reference
60	180	100-2100	ST 060+F1 V+D14
100	255	100-2100	ST 100+F1 V+D14
150	355	200-2100	ST 150+F1 V+D14
200	455	200-2100	ST 200+F1 V+D14
250	555	300-2100	ST 250+F1 V+D14
300	655	300-2100	ST 300+F1 V+D14
350	755	300-2100	ST 350+F1 V+D14
400	855	300-2100	ST 400+F1 V+D14
450	955	300-2100	ST 450+F1 V+D14
500	1055	300-2100	ST 500+F1 V+D14
600*	1255	300-2100	ST 600+F1 V+D14VA
650*	1355	300-2100	ST 650+F1 V+D14VA
700*	1455	300-1800	ST 700+F1 V+D14VA
750*	1555	300-1800	ST 750+F1 V+D14VA
800*	1655	300-1500	ST 800+F1 V+D14VA
850*	1855	300-1500	ST 850+F1 V+D14VA

*Finished by M10 threads. Delivery date specified on demand.

Instructions for ordering the correct type of gas springs:

If you need a gas spring with a piston diameter of 14 mm, finished M8 thread, stroke of C = 100mm and with a force of F1 = 1500N – the spring will have order number ST100 1500VD14.